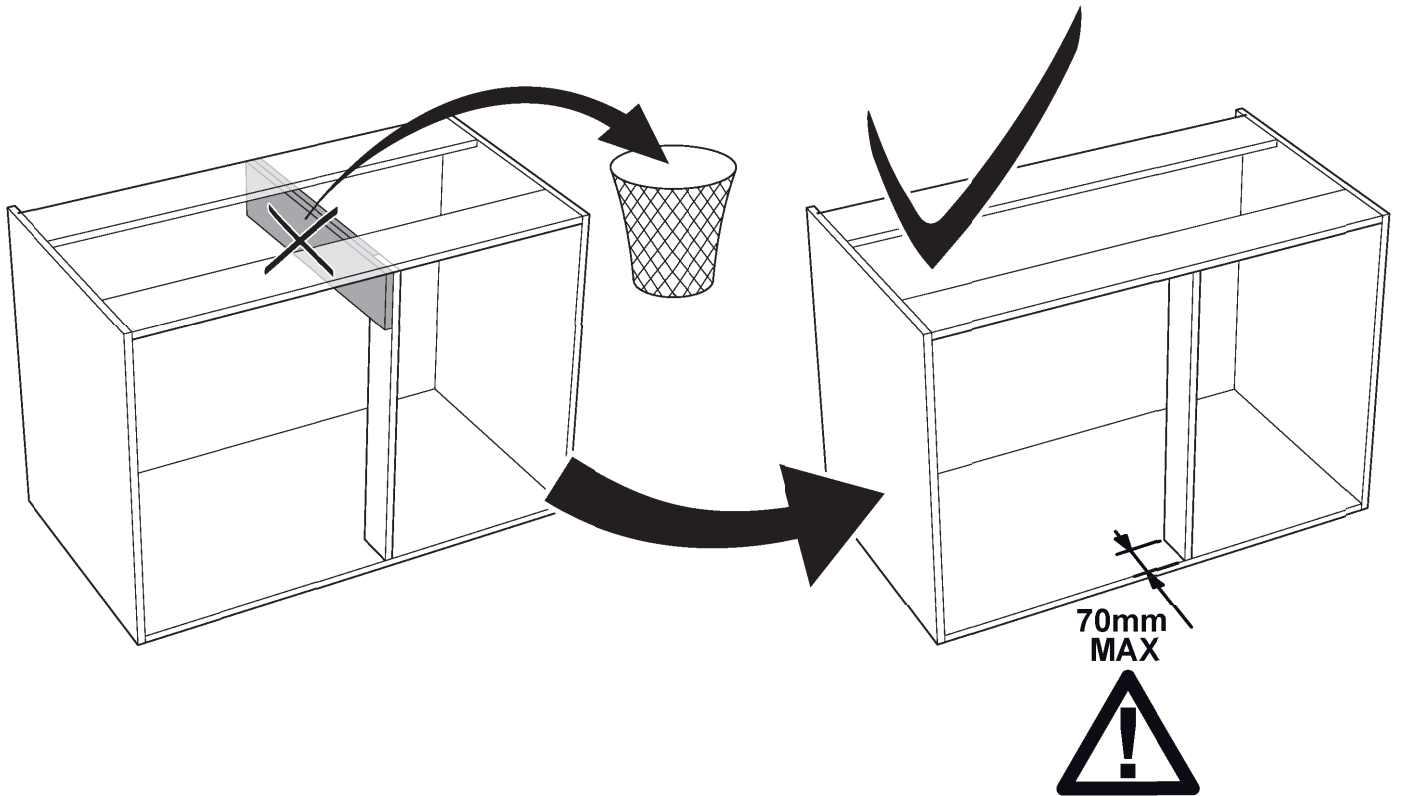
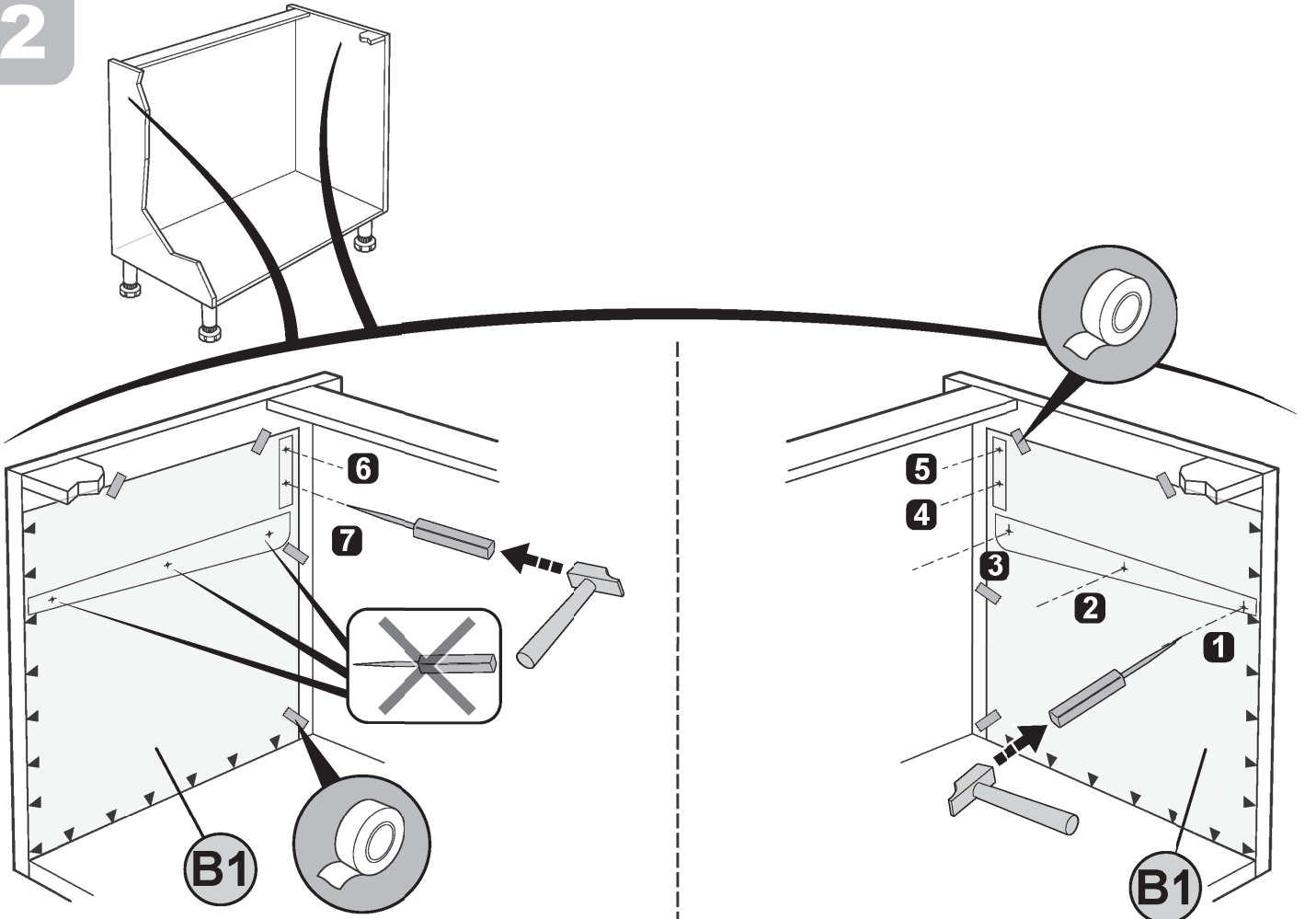


1

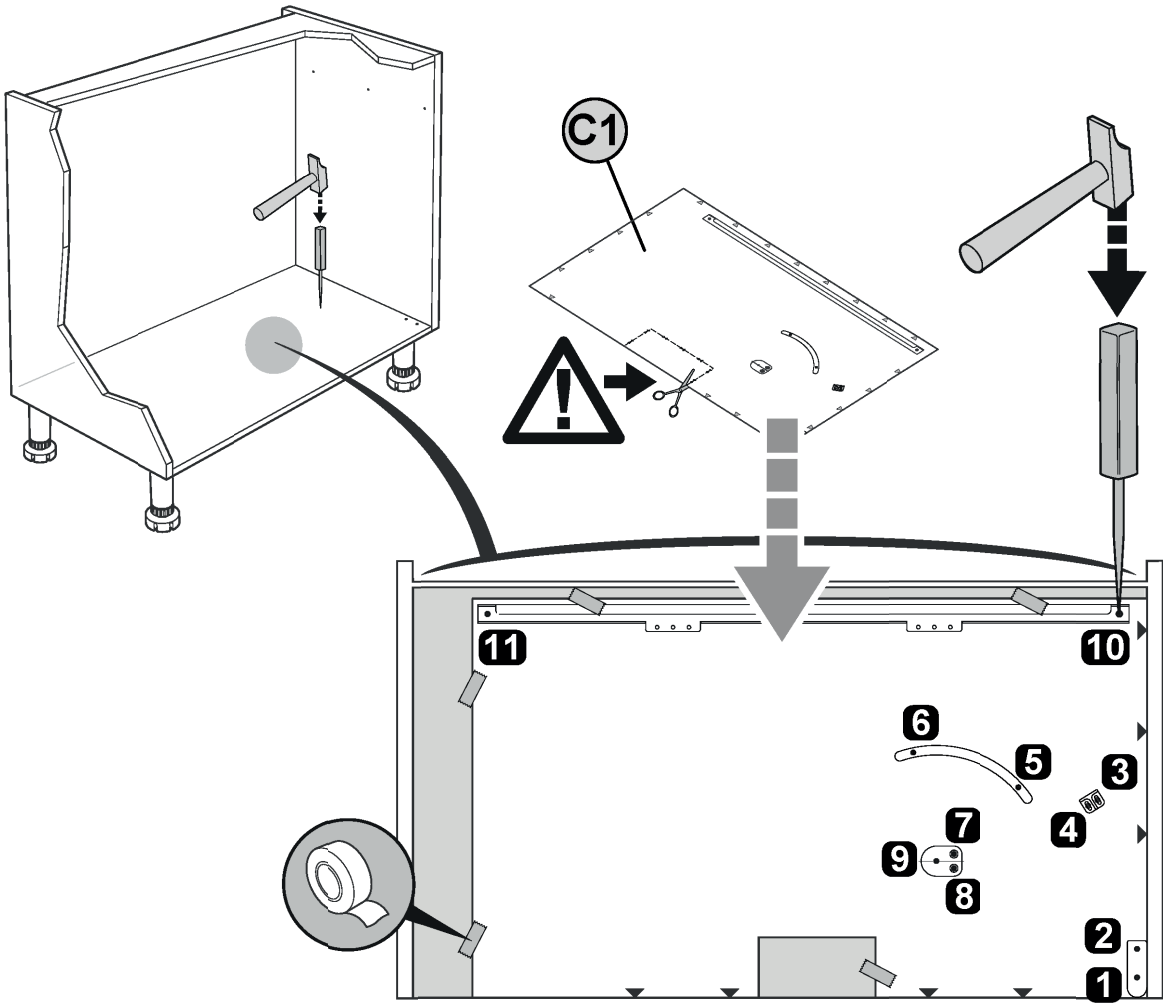


2



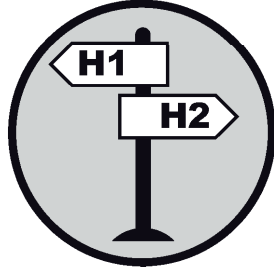
2

3

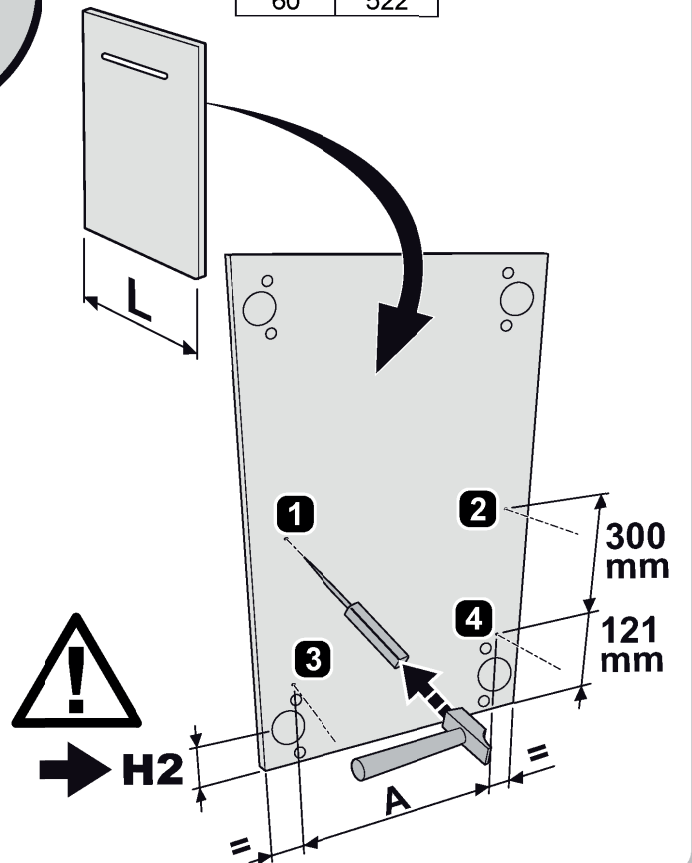
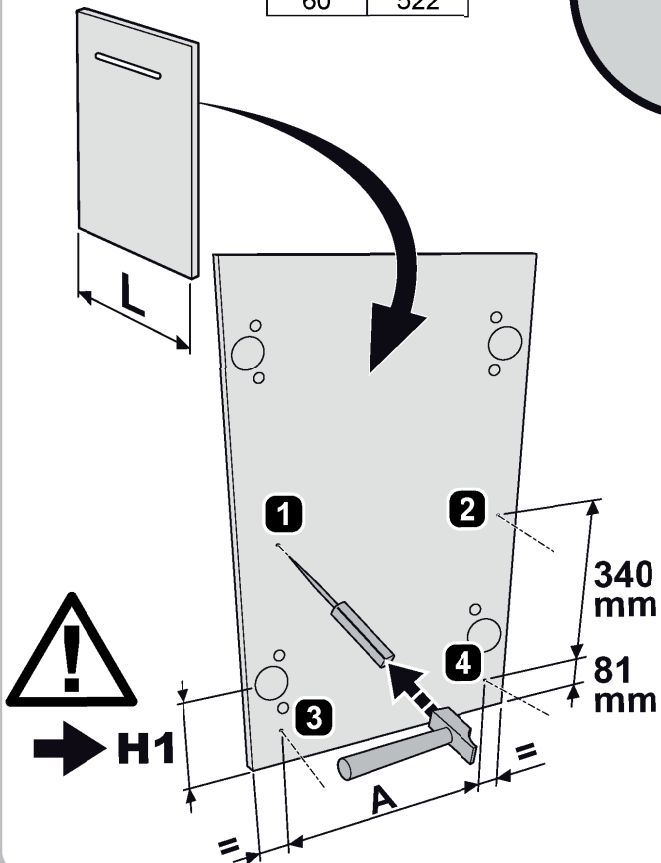


4

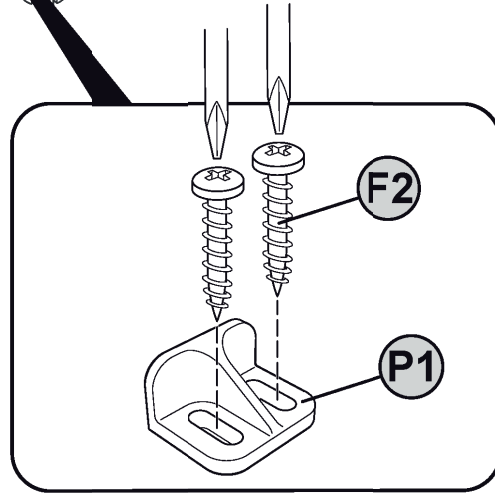
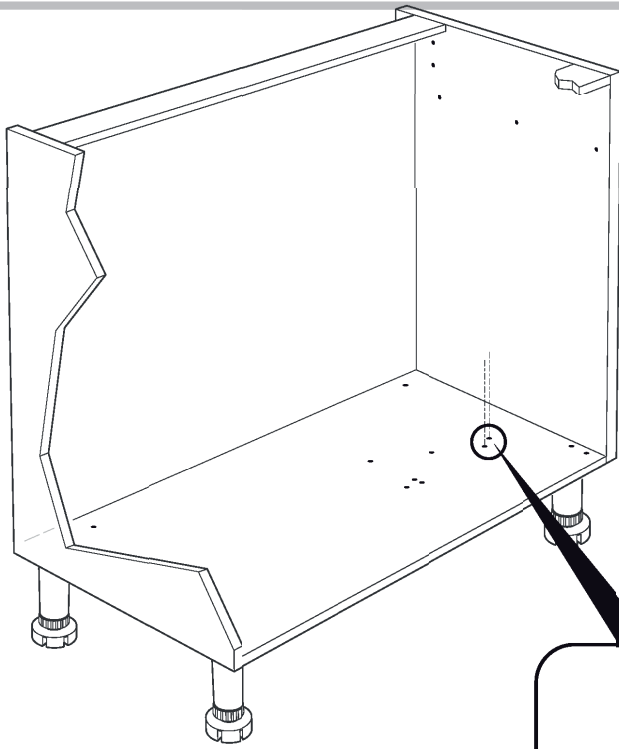
L (cm)	A (mm)
40	322
45	372
50	422
60	522



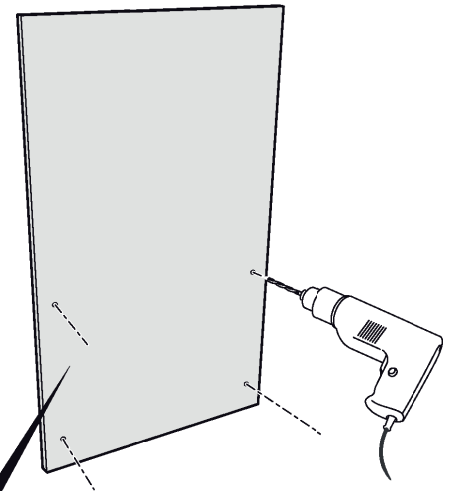
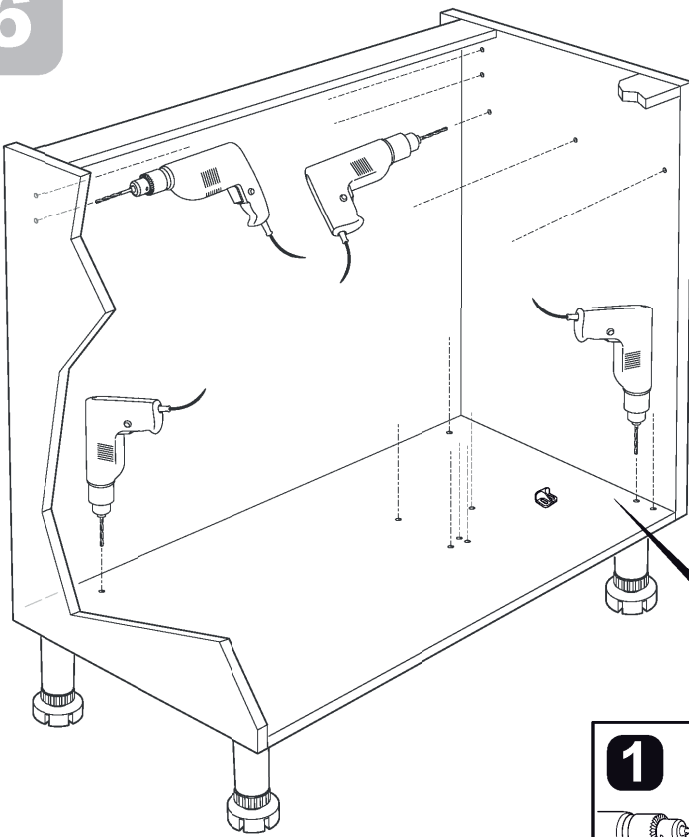
L (cm)	A (mm)
40	322
45	372
50	422
60	522



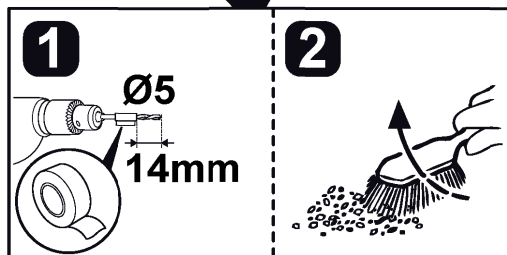
5



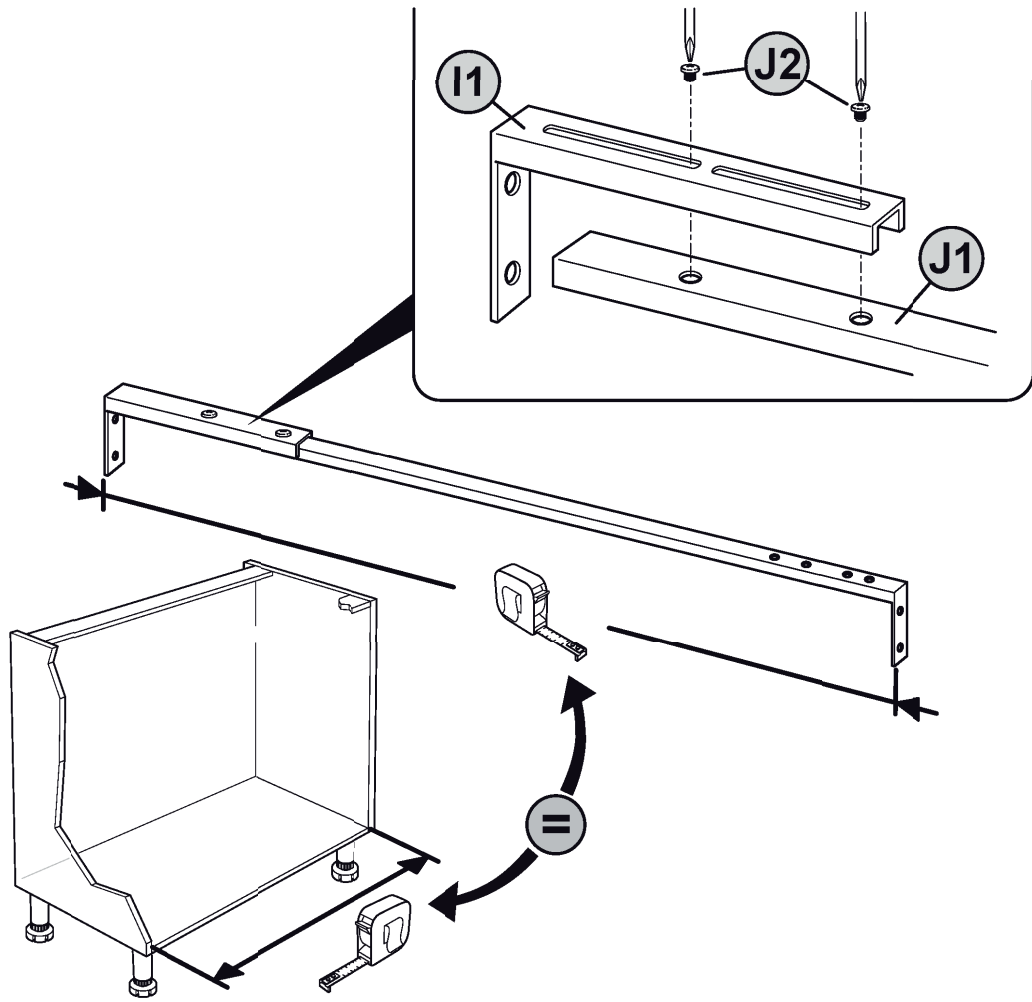
6



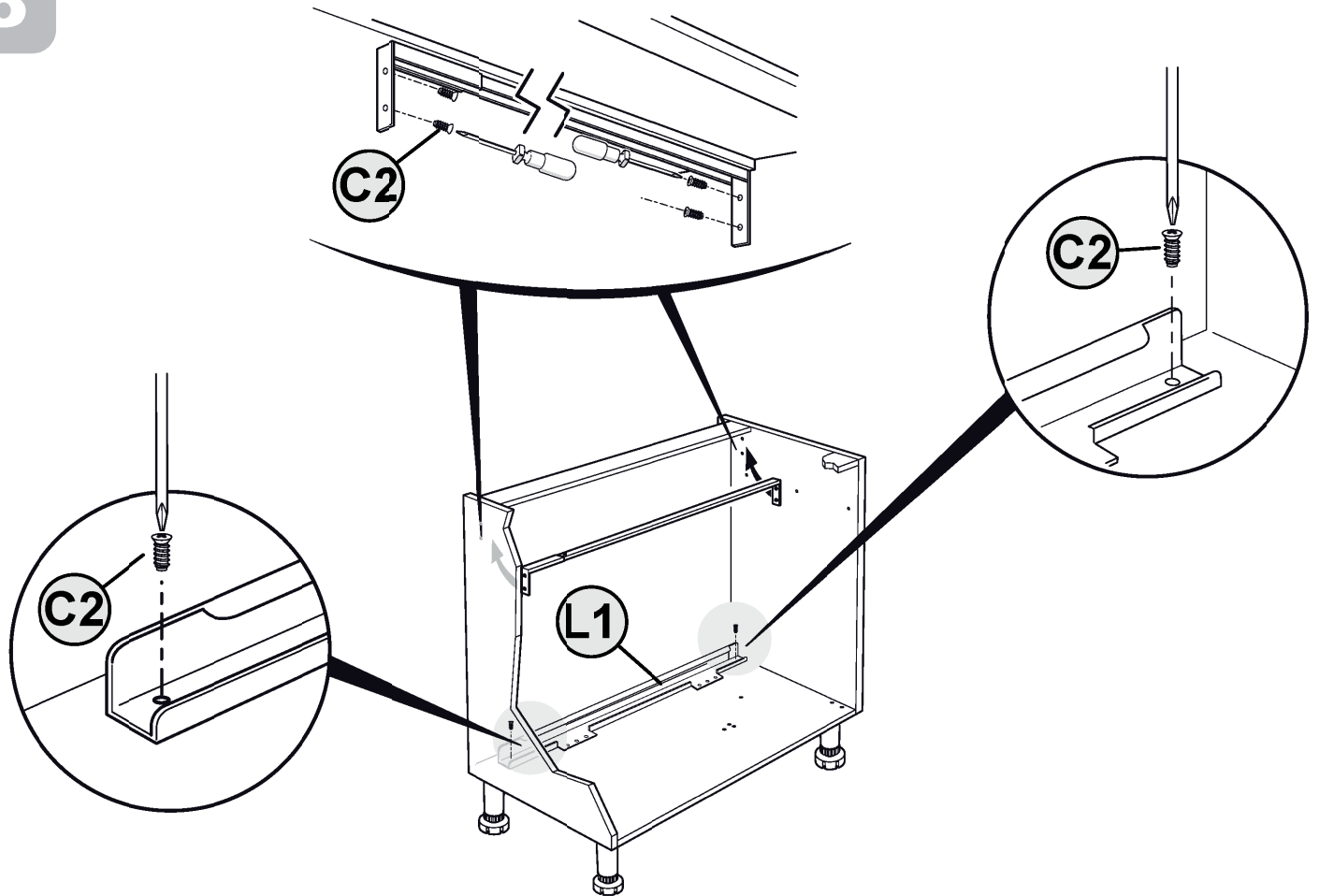
x20



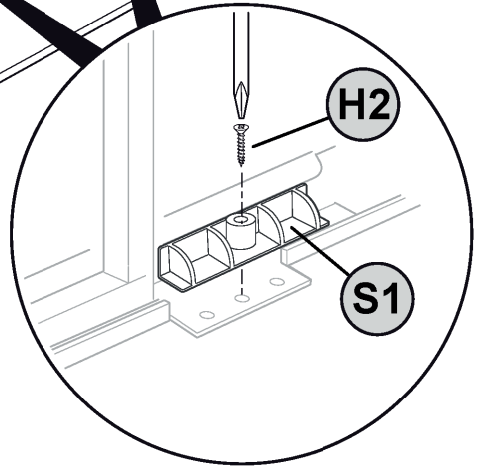
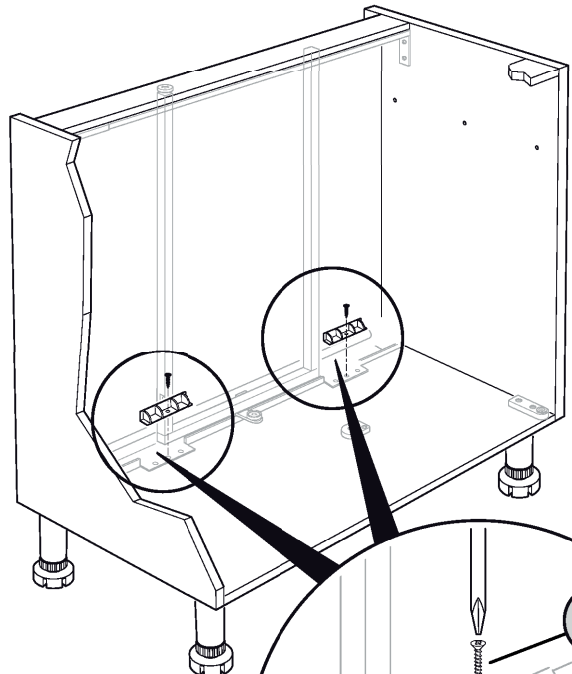
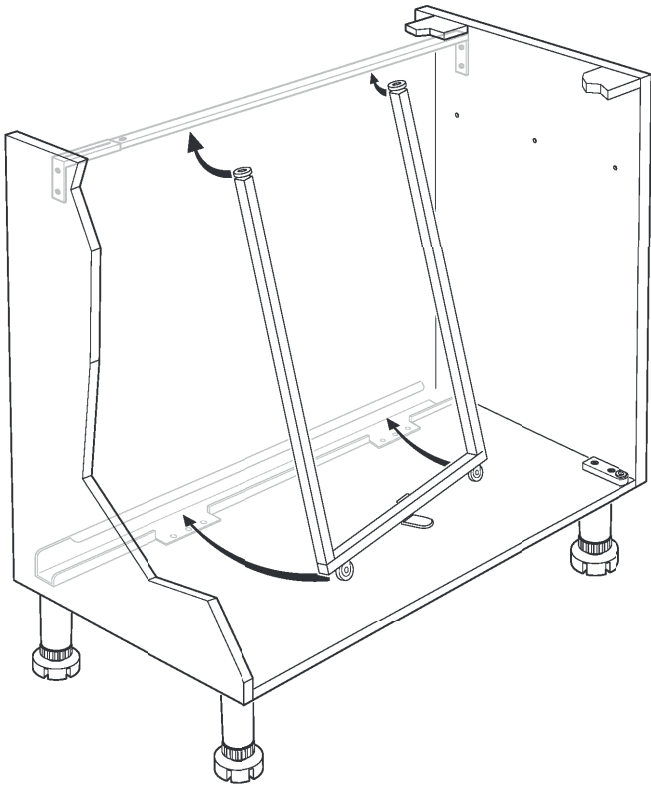
7



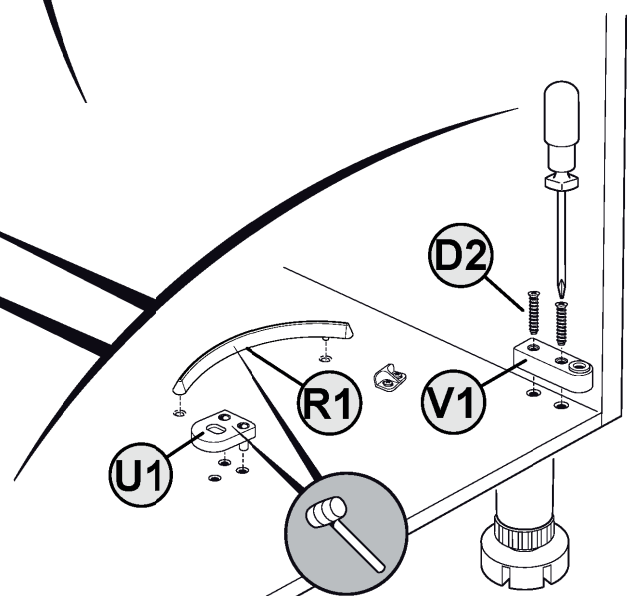
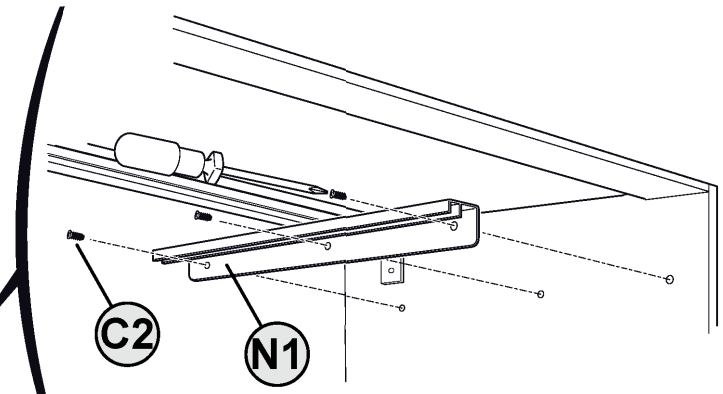
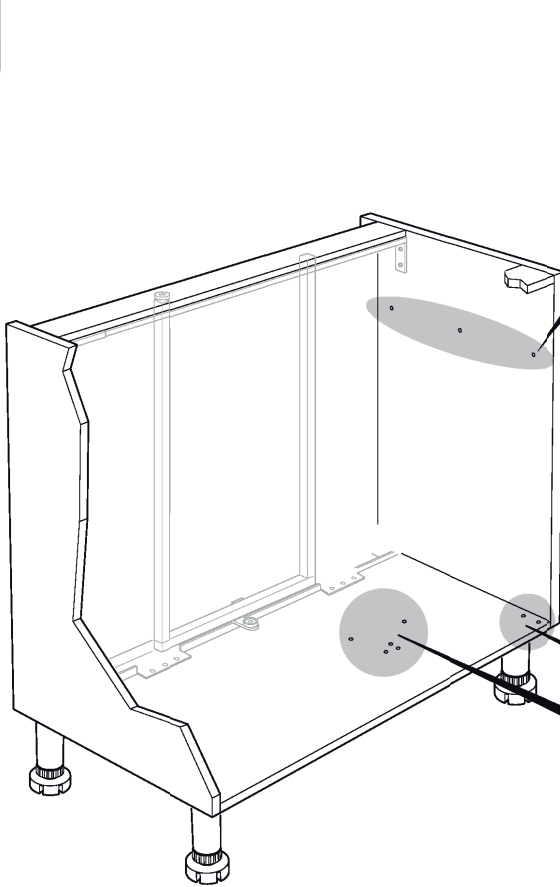
8



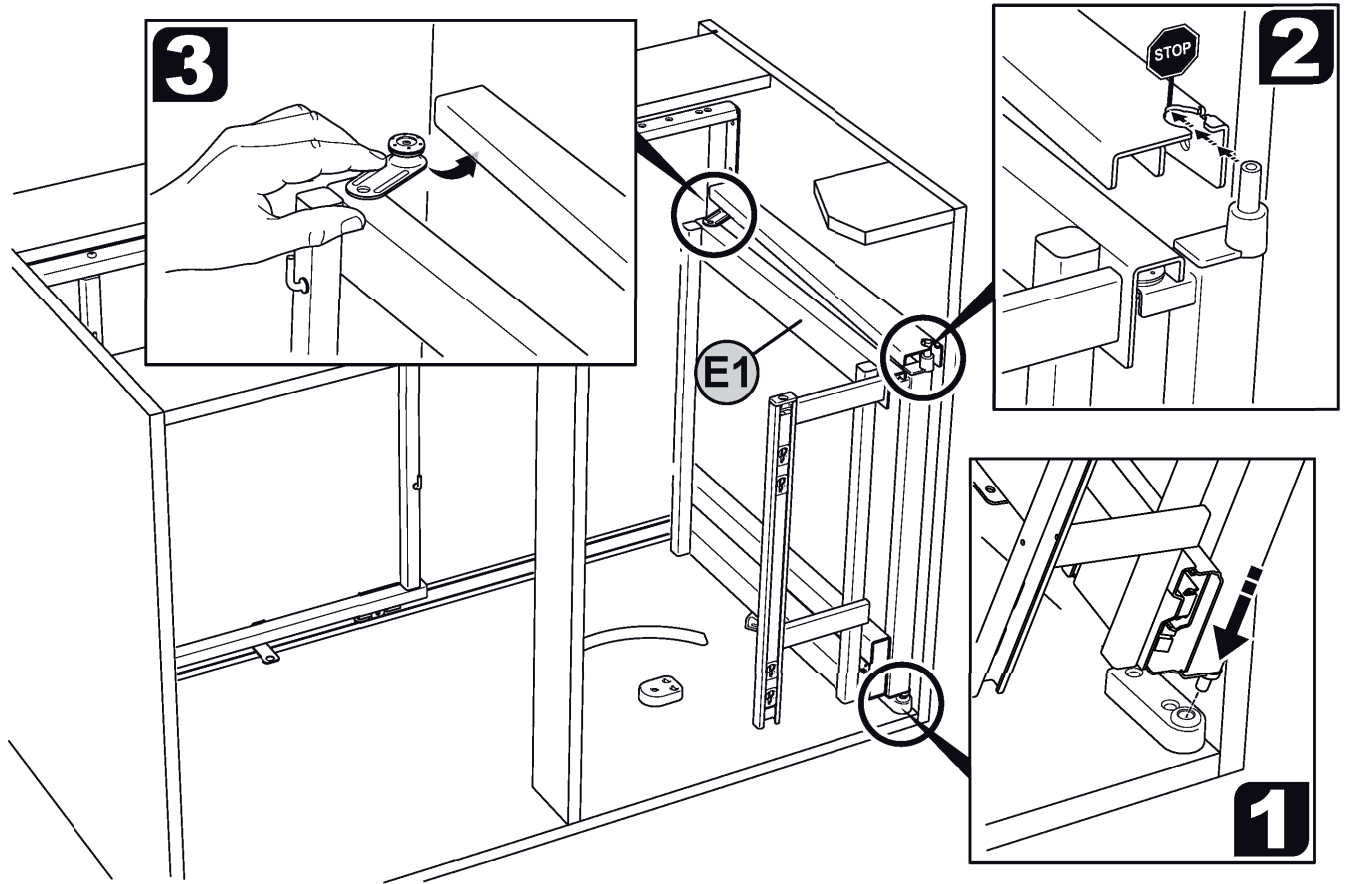
9



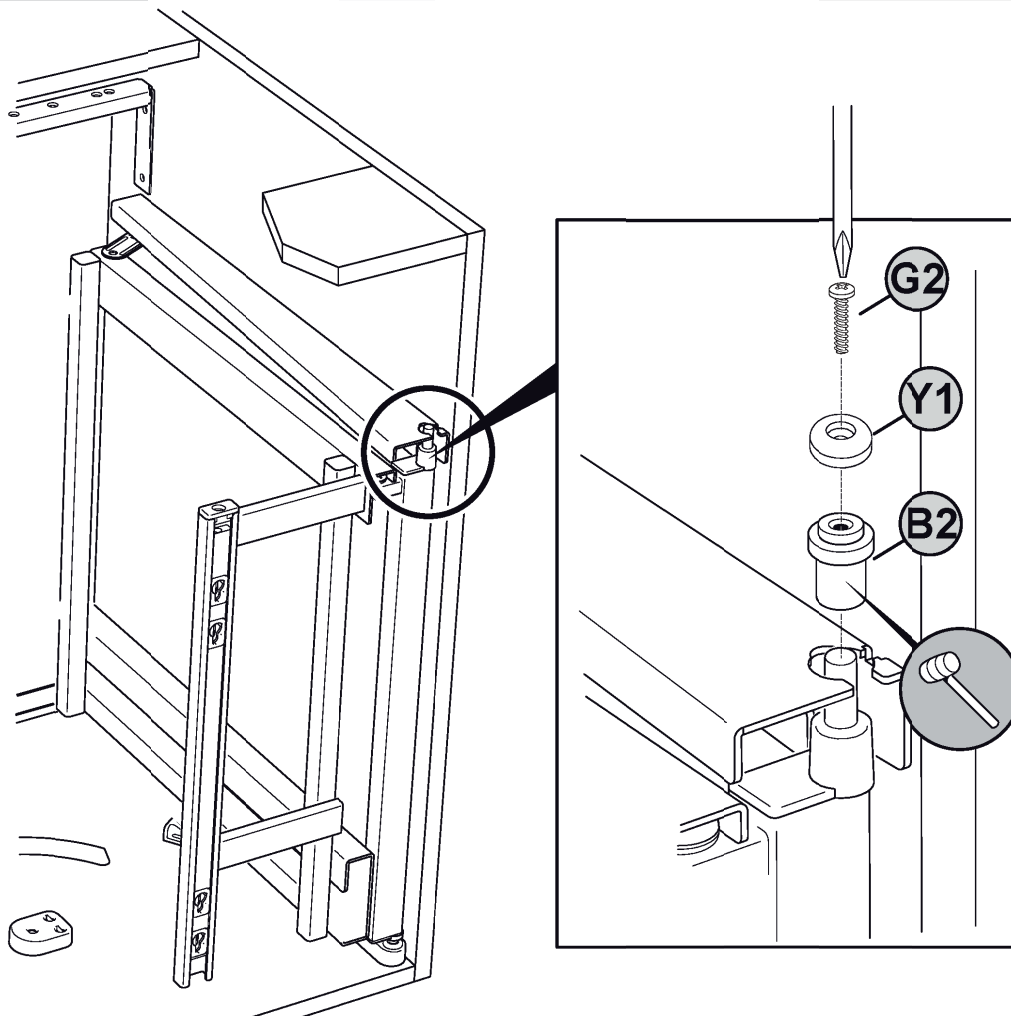
10



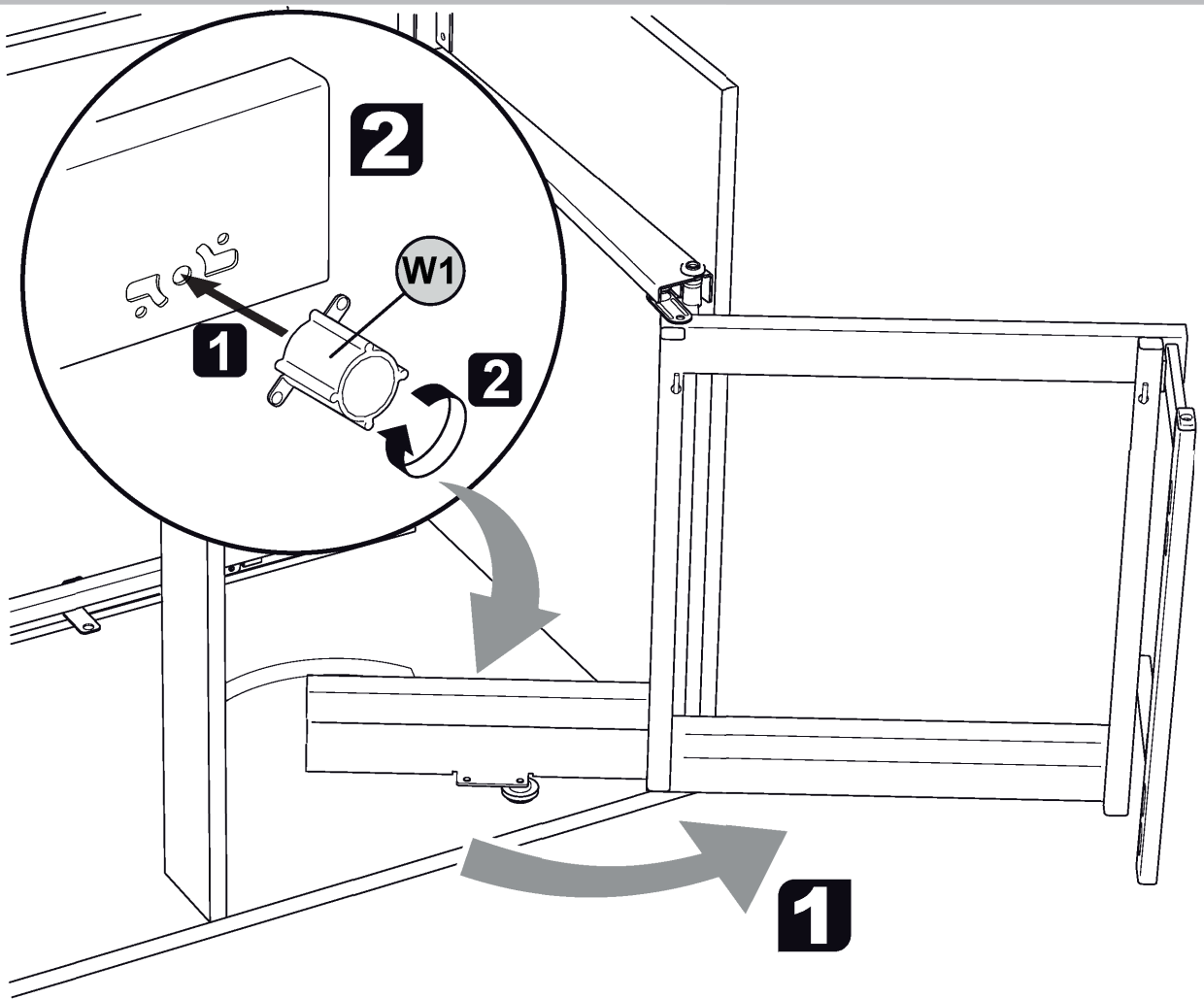
11



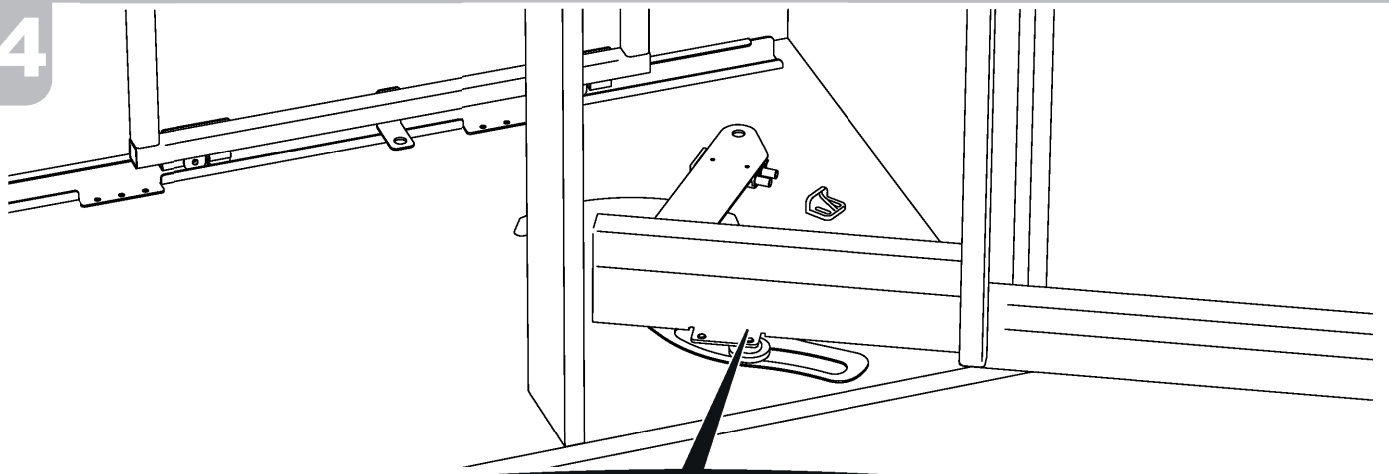
12



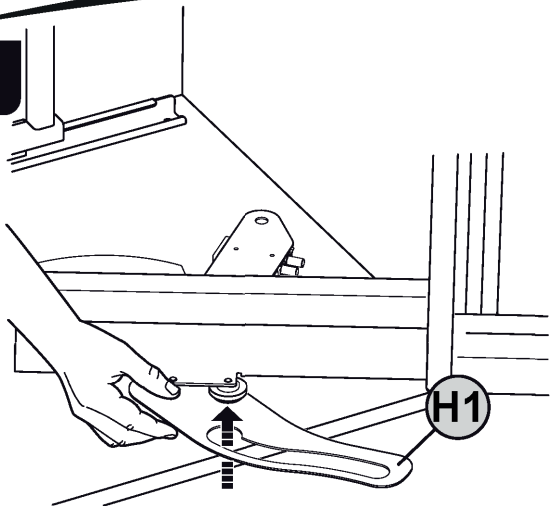
13



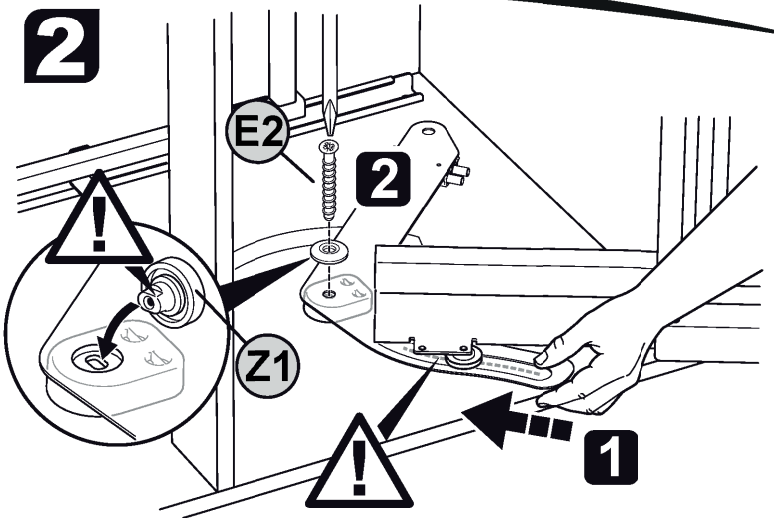
14



1



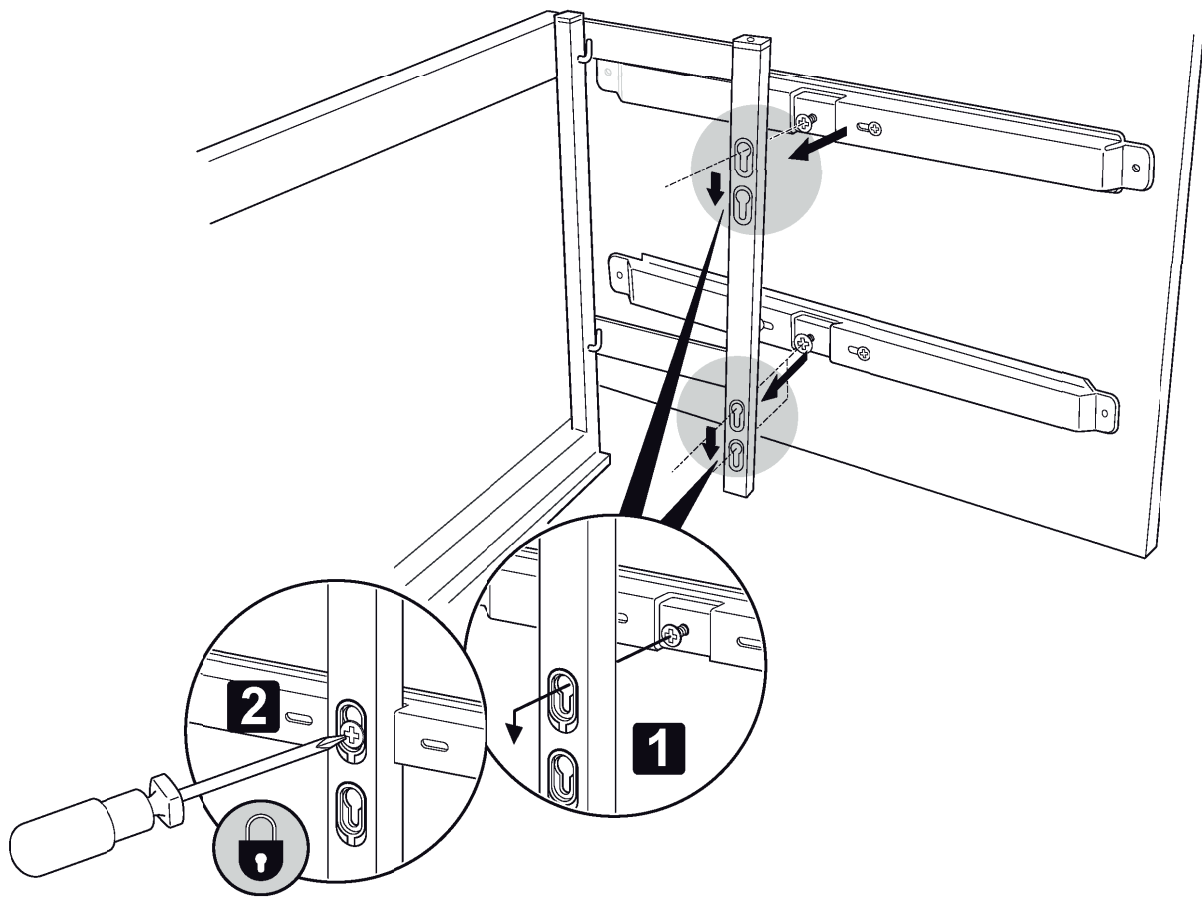
2



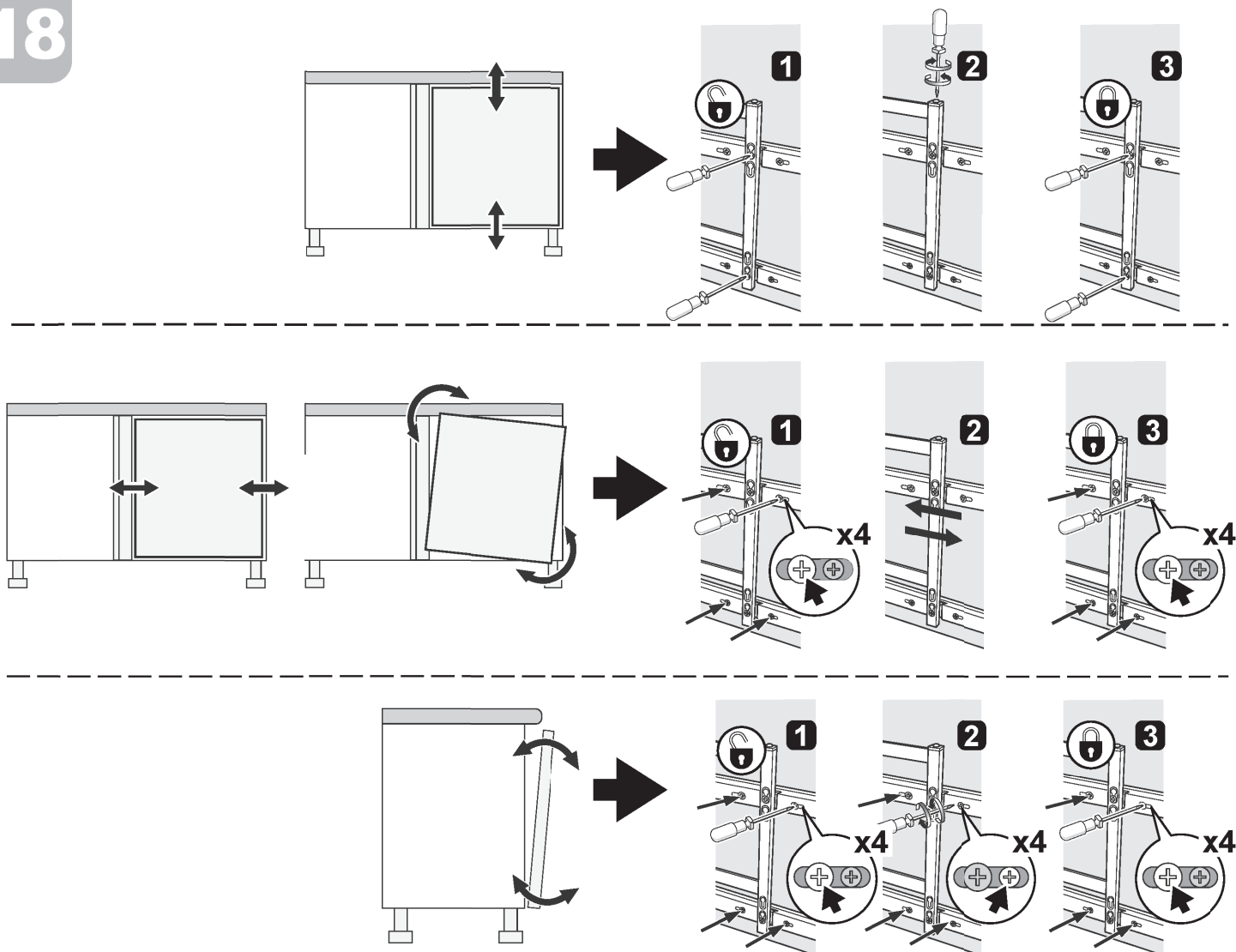




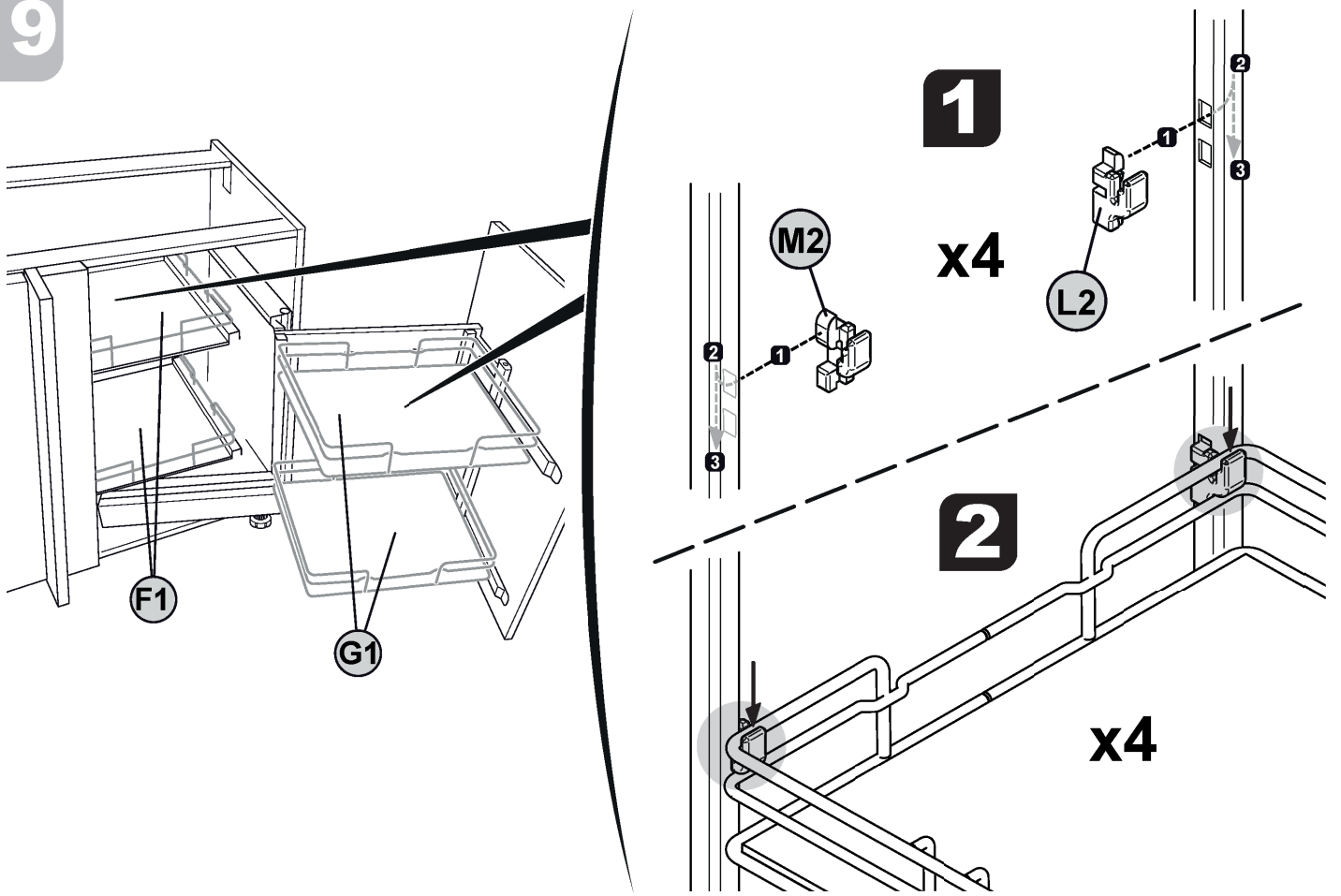
17



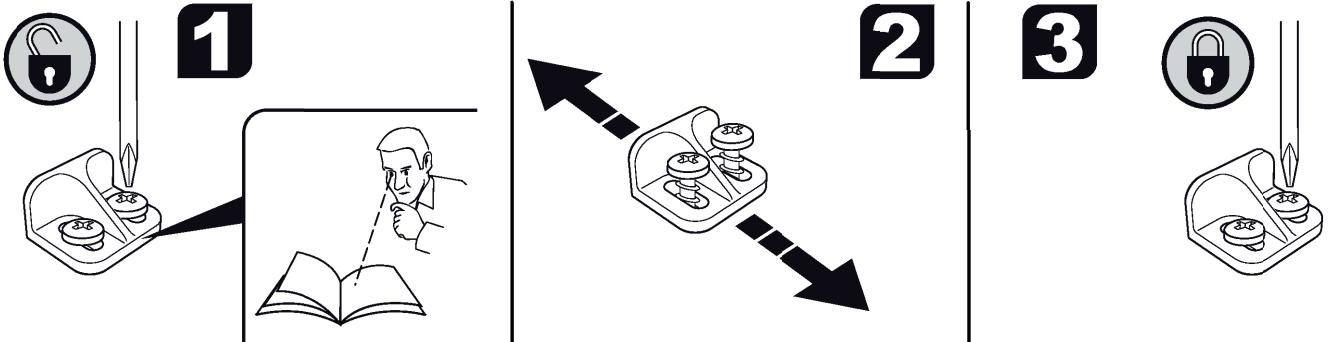
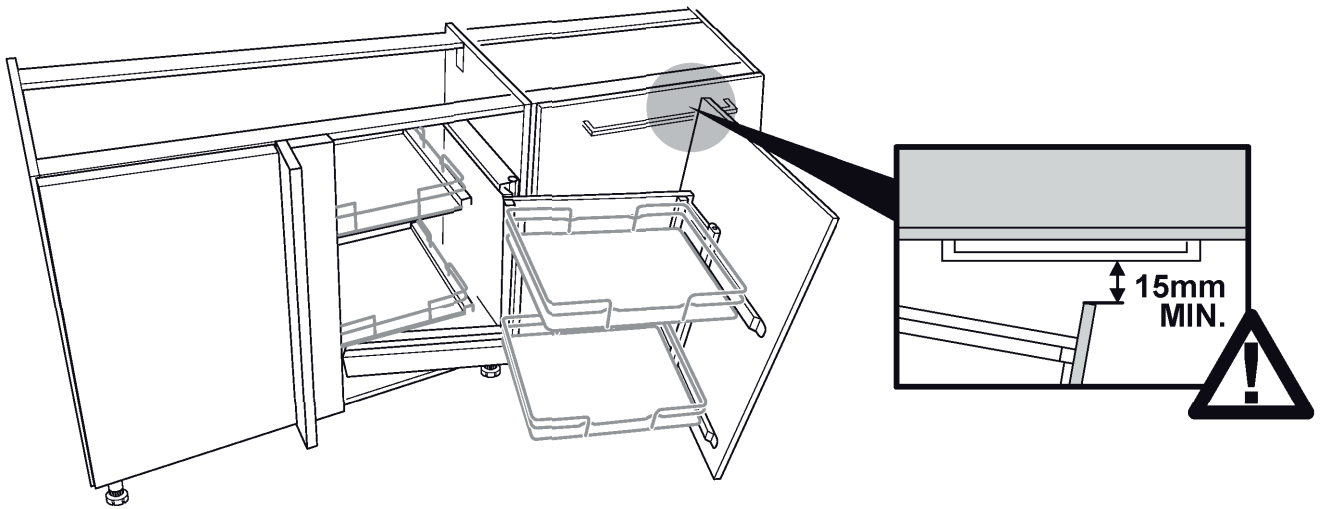
18



19



20



**NOTES**